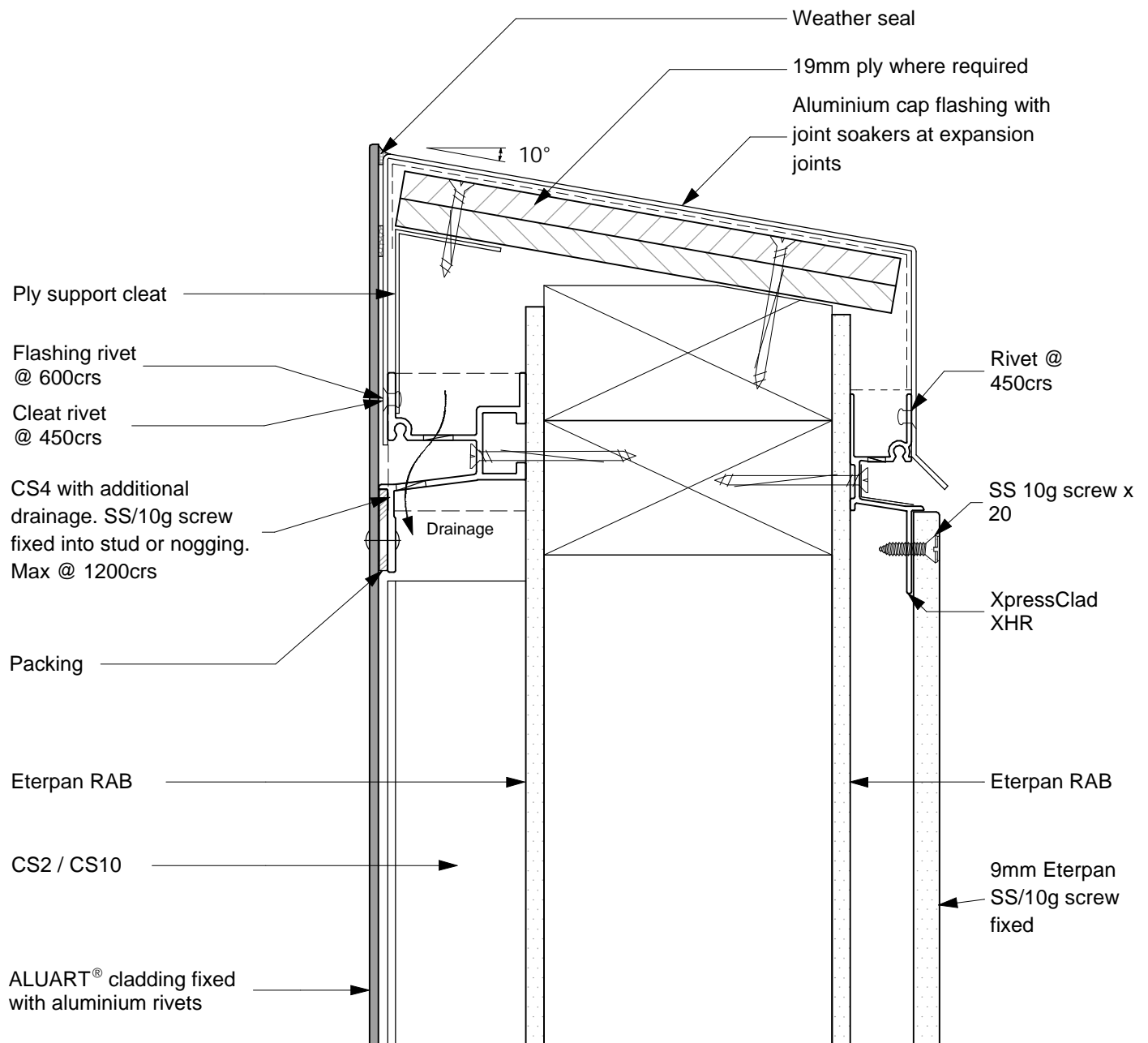
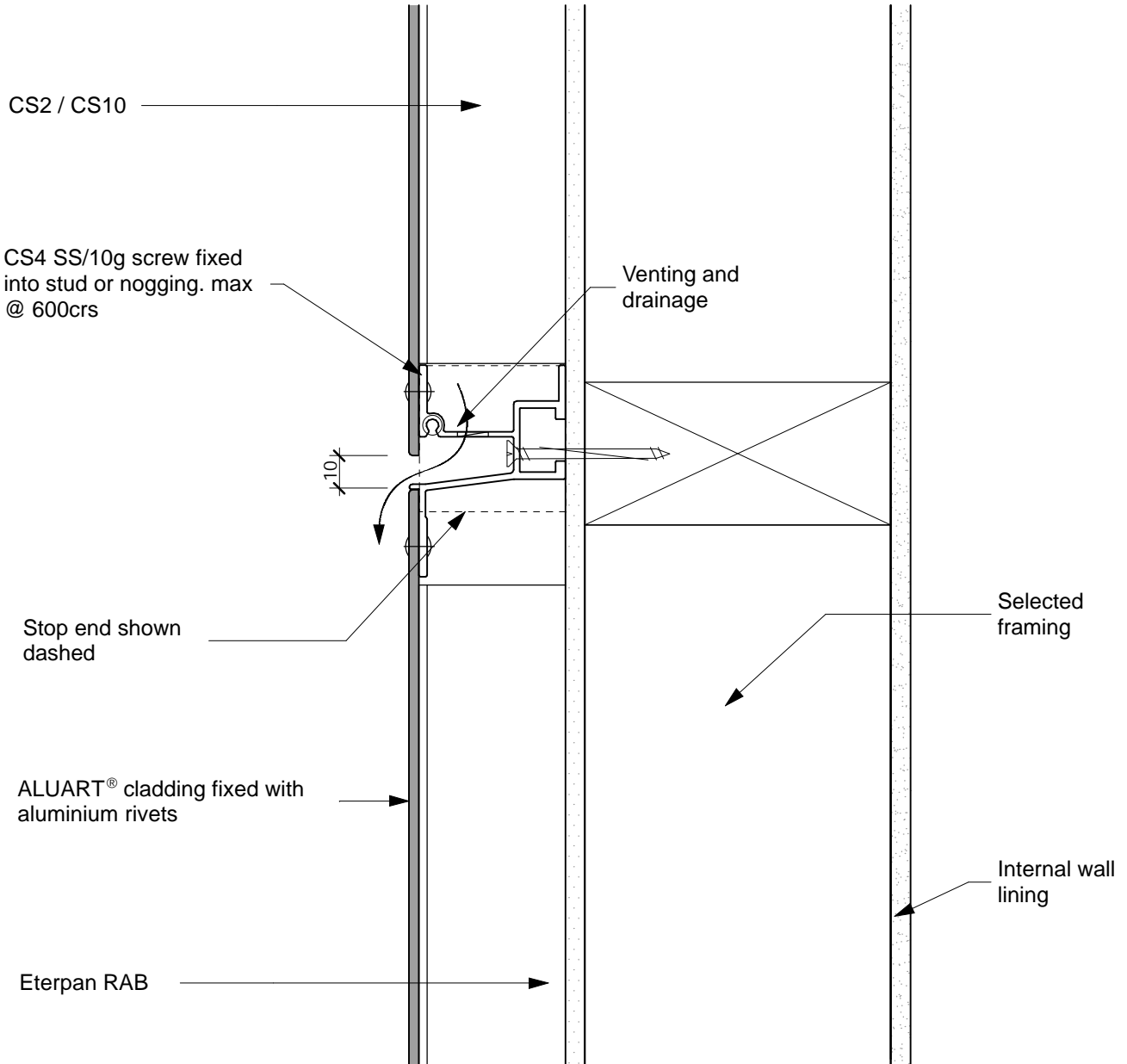


© THIS DRAWING IS THE PROPERTY OF AAL ALUART LTD AND MUST NOT BE COPIED WITH OUT PERMISSION



Drawings based on Overclad System

© THIS DRAWING IS THE PROPERTY OF AAL ALUART LTD AND MUST NOT BE COPIED WITH OUT PERMISSION



Drawings based on Overclad System

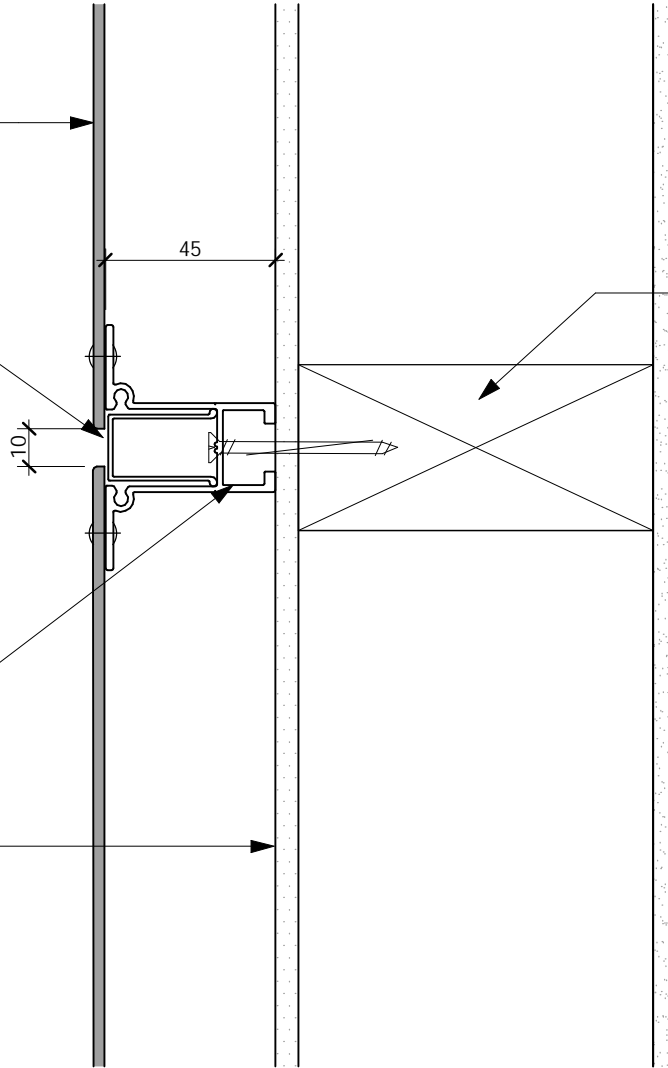
©THIS DRAWING IS THE PROPERTY OF AAL ALUART LTD AND MUST NOT BE COPIED WITH OUT PERMISSION

ALUART® cladding fixed with aluminium rivets

CS11 pocket filler

CS2/CS10 SS/10g screw fixed into stud or nogging. max @ 600crs

Eterpan RAB

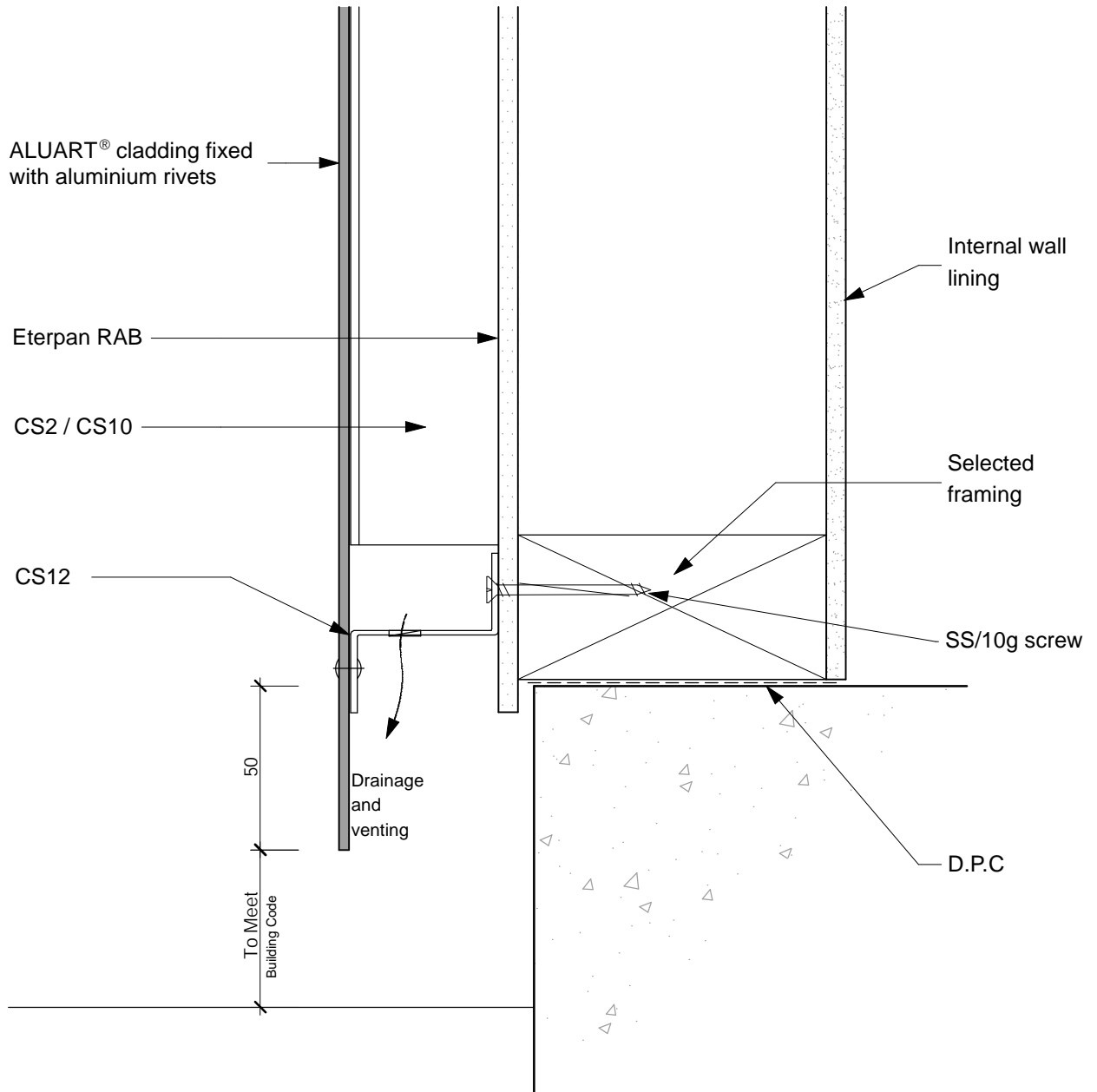


Selected framing

Internal wall lining

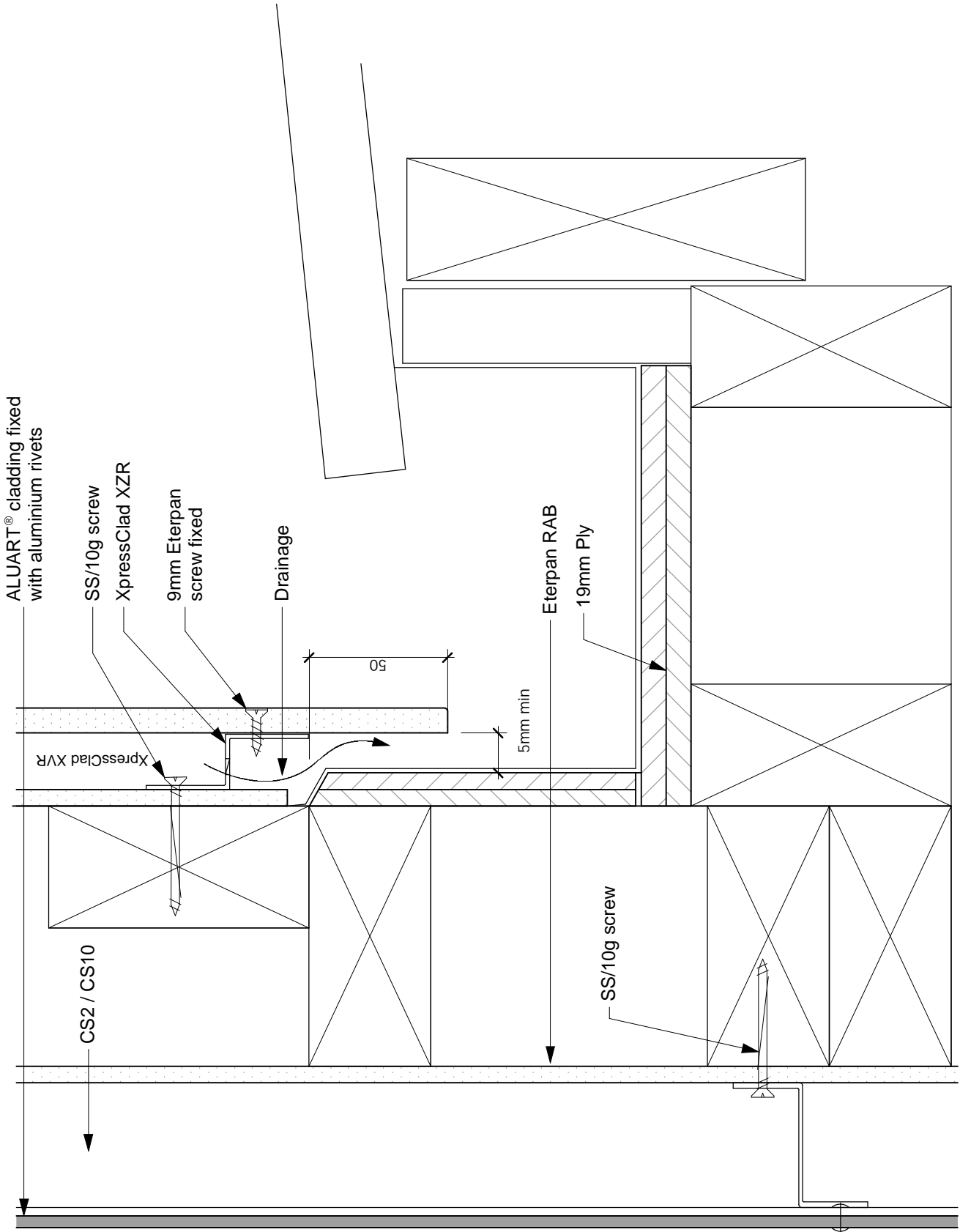
Drawings based on Overclad System

© THIS DRAWING IS THE PROPERTY OF AAL ALUART LTD AND MUST NOT BE COPIED WITH OUT PERMISSION



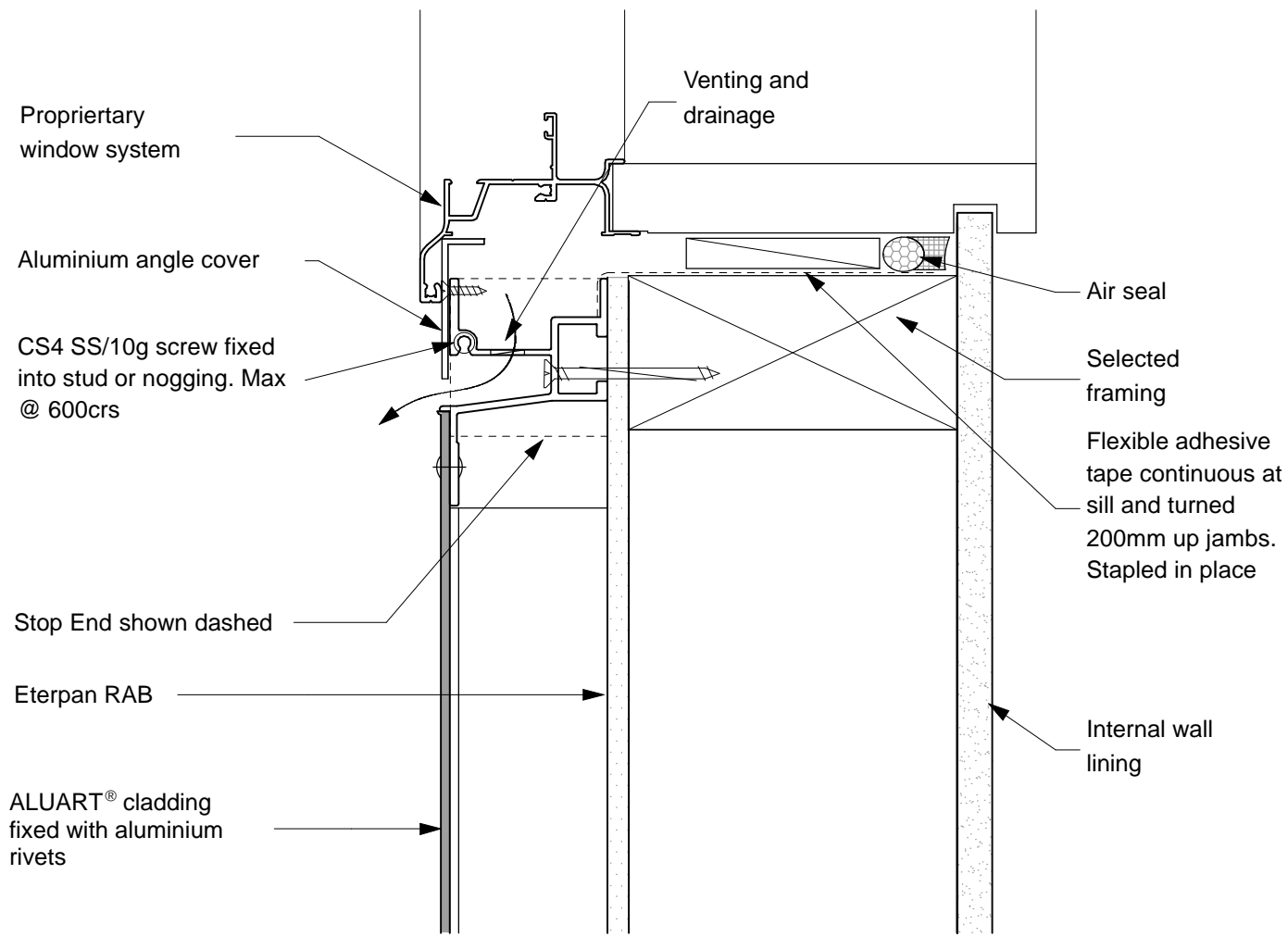
Drawings based on Overclad System

© THIS DRAWING IS THE PROPERTY OF AAL ALUART LTD AND MUST NOT BE COPIED WITH OUT PERMISSION



Drawings based on Overclad System

©THIS DRAWING IS THE PROPERTY OF AAL ALUART LTD AND MUST NOT BE COPIED WITH OUT PERMISSION



Drawings based on Overclad System



**ALUART® CLADDING**  
**DIRECT FIX METHOD - MECHANICAL**  
**Window sill detail**

Scale: 1:2	Date: 31 March 2008
REF. No. <b>ALUART-DFM-06</b>	

© THIS DRAWING IS THE PROPERTY OF AAL ALUART LTD AND MUST NOT BE COPIED WITH OUT PERMISSION

Eterpan RAB

ALUART® cladding fixed with aluminium rivets

Internal Wall Lining

Venting and drainage

CS4 SS/10g Screw fixed into stud or nogging. Max @ 600crs

Selected framing

Aluminium flashing

Proprietary window system

Air Seal

Stop end shown dashed

Flexible adhesive tape continuous at head and turned 200mm up RAB. Staped in place

Glazing



ALUART® CLADDING  
DIRECT FIX METHOD - MECHANICAL  
Window head detail

Drawings based on Overclad System

Scale:

1:2

Date:

31 March 2008

REF. No.

ALUART-DFM-07

© THIS DRAWING IS THE PROPERTY OF AAL ALUART LTD AND MUST NOT BE COPIED WITH OUT PERMISSION

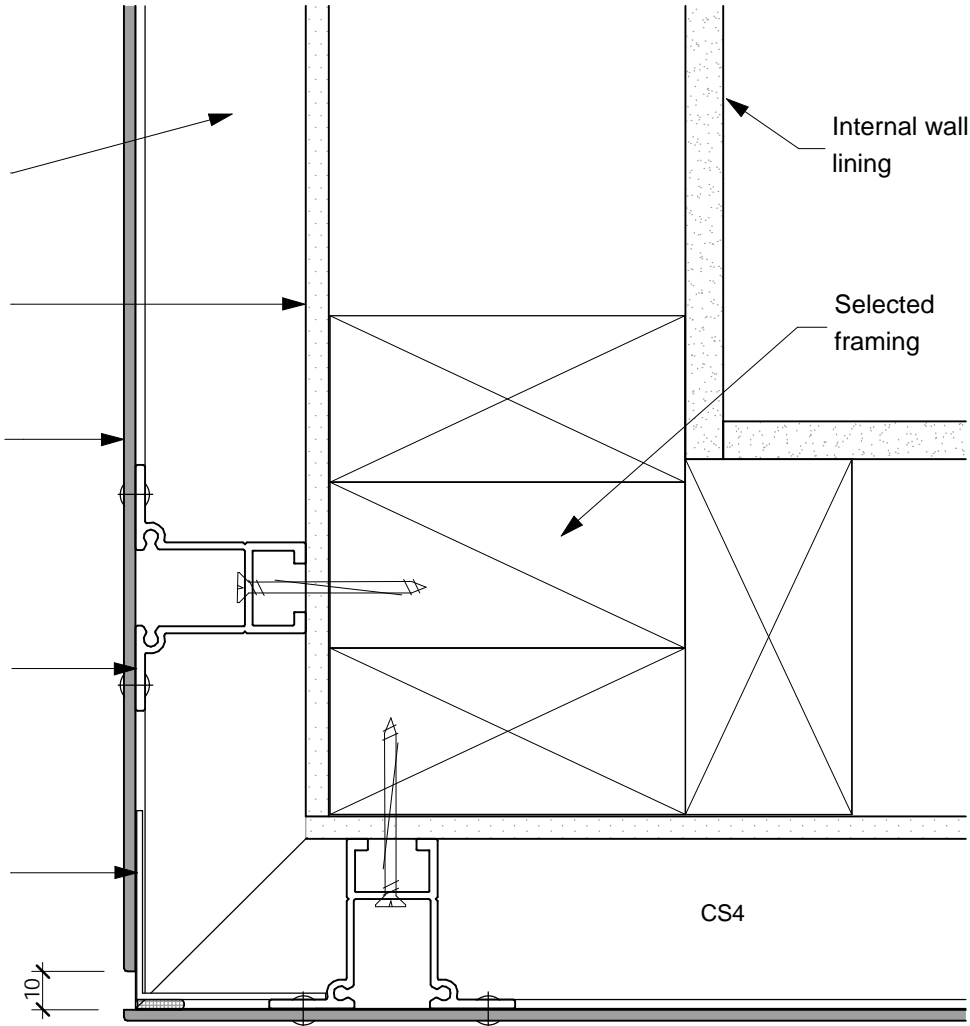
CS4 SS/10g Screw fixed into stud or nogging. Max @ 600crs

Eterpan RAB

ALUART® cladding fixed with aluminium rivets

CS2/CS10 SS/10g screw fixed into stud or nogging. Max @ 600crs

50x50x1.6 aluminium angle



Drawings based on Overclad System

**Aluart**<sup>®</sup>  
anodised textures for building

**ALUART® CLADDING**  
**DIRECT FIX METHOD - MECHANICAL**  
**External corner detail**

Scale:

1:2

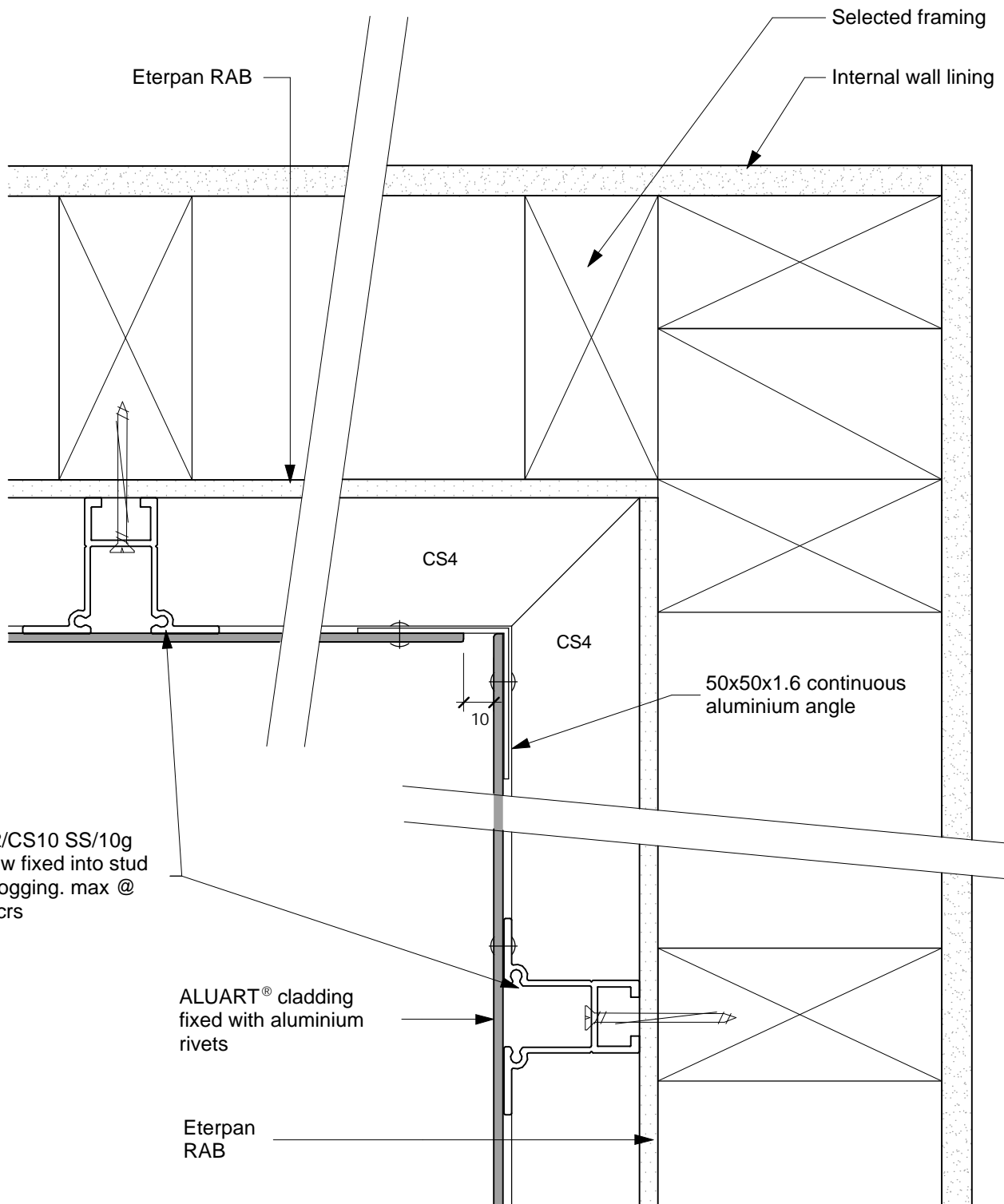
Date:

31 March 2008

REF. No.

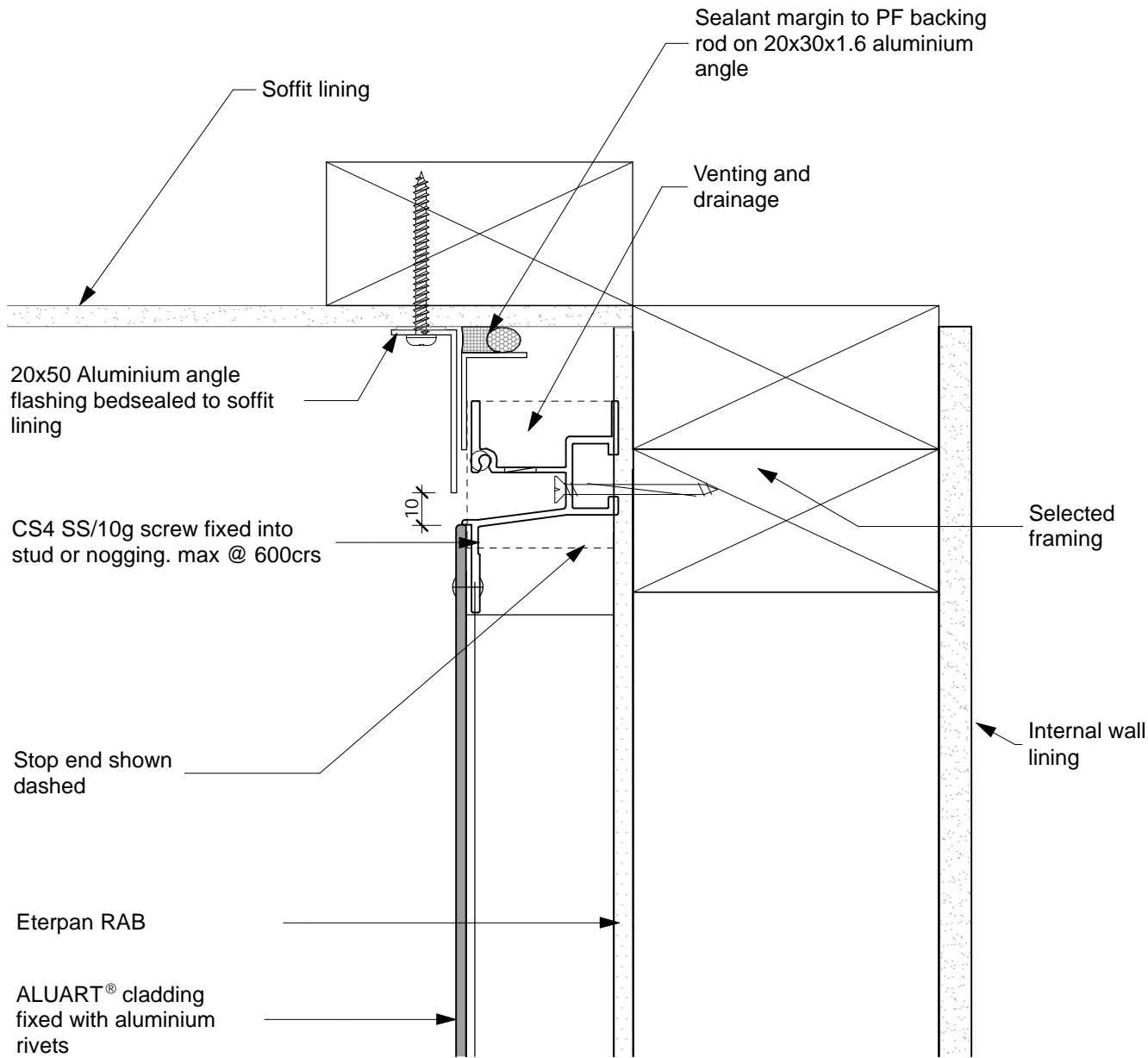
**ALUART-DFM-08**

©THIS DRAWING IS THE PROPERTY OF AAL ALUART LTD AND MUST NOT BE COPIED WITH OUT PERMISSION



Drawings based on Overclad System

© THIS DRAWING IS THE PROPERTY OF AAL ALUART LTD AND MUST NOT BE COPIED WITH OUT PERMISSION



Drawings based on Overclad System